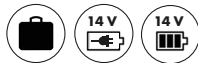


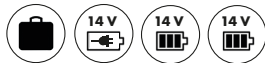
# FIREBIRD®

The reliable blind rivet nut tool with mechanical stroke setting for blind rivet nuts up to M10 Alu.

No. 145 7414



No. 145 7413



## TECHNICAL DATA

Weight: 2.1 kg with battery  
 Setting force: 13,000 N  
 Drive: DC motor  
 Stroke: 5.5 mm

## WORKING RANGE

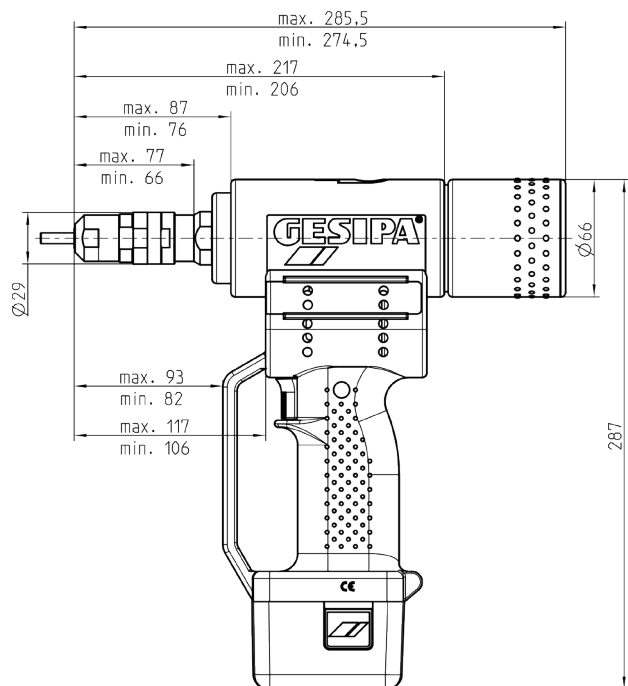
Blind rivet nuts up to M10 aluminium, up to M8 steel and up to M6 stainless steel

## SCOPE OF DELIVERY

Threaded mandrel and nose piece M6 (in working position)  
 Threaded mandrel and nose piece M4 und M5 (in magazine)  
 1x hexagonal wrench  
 2x double open ended wrench SW 24/27  
 Operating manual

## ADVANTAGES

- Reduced torque
- Automatic switch-off
- Automatic drill-out function
- High energy density
- Low weight
- Simple and safe drilling of



Dimensions in mm



228

Spare parts, special accessories for FireBird® page 228

## FireBird® – Blind rivet nut tool

### POWER PER BATTERY CHARGE/THREADED MANDRELS AND NOSEPIECES

Blind rivet nuts inner thread	Material	approx. pc per charging process 2,0 Ah Li-Ion battery	No.	
			Threaded mandrel	Nosepiece
M3	Alu	<b>1000</b>	<b>143 5052*</b>	<b>143 5065*</b>
M3	Steel/Stainless steel	<b>900</b>		
M4	Alu	<b>900</b>	<b>143 5055</b>	<b>143 5066</b>
M4	Steel/Stainless steel	<b>800</b>		
M5	Alu	<b>800</b>	<b>143 5056</b>	<b>143 5067</b>
M5	Steel/Stainless steel	<b>750</b>		
M6	Alu	<b>700</b>	<b>143 5059</b>	<b>143 5068</b>
M6	Steel/Stainless steel	<b>500</b>		
M8	Alu	<b>600</b>	<b>143 5063*</b>	<b>143 5069*</b>
M8	Steel	<b>300</b>		
M10	Alu	<b>500</b>	<b>143 5064*</b>	<b>143 5070*</b>

\* Available as special accessory



**250**

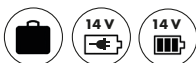
All threaded mandrels and nosepieces **page 250**

## **FIREBIRD®** Basic tool for blind rivet nut studs conversion kit

The blind rivet nut studs conversion kits enable the FireBird® to be used to set M4 and M8 blind rivet nut studs.

### FireBird® Basic tool\*

**No. 146 4336**



\* The tool is delivered without threaded mandrels and nosepieces. Please order the corresponding conversion kit.

**page 229**



# SPARE PARTS / SPECIAL ACCESSORIES Battery powered blind rivet nut tools

## 14,4 V/2,0 Ah LI-ION BATTERY

Weight: 0.36 kg



**No. 166 6440**

## 14,4 V/4,0 Ah LI-ION BATTERY

Weight: 0.58 kg



**No. 166 6441**

## CHARGER 14.4 V LI-ION

### Technical data

Input voltage: 230 V / 50 Hz  
 Output voltage: 14.4 V DC  
 Recharging time: 50 to 100 minutes (battery depending)  
 Weight: 0.6 kg



**No. 145 7282**

## 18V LI-POWER 2,0 AH BATTERY

Weight: 0,4 kg / available as special accessory



**No. 167 9689**

## 18V LiHD 4,0 AH BATTERY

Weight: 0,6 kg / available as special accessory



**No. 167 9690**

## CHARGER FOR 18,0 V LI-ION BATTERY

### Technical data

Input voltage: 100 - 240 V / 50 - 60 Hz  
 Output voltage: 21 V DC  
 Charging time: 2.0 Ah = approx. 40 minutes  
                   4.0 Ah = approx. 80 minute  
 Weight: 0.6 kg



Note: Equipped with Euro plug as standard (other versions on request)

EU packed  
**No. 167 9694**

UK packed  
**No. 167 9695**

US packed  
**No. 167 9696**

## THREADED MANDREL AND NOSEPIECE SET FOR BLIND RIVET NUT SETTING TOOLS

Equipped with a complete set of nosepieces and threaded mandrels (M3 to M12) in a plastic carrying case. Suitable for:

- FireBird® Pro
- FireBird® Pro Gold Edition / FireBird® Pro S Gold Edition
- FireFox® 2 (all versions except FireFox® 2 C)



Metric dimensions  
**No. 145 8111**

UNC/UNF dimensions  
**No. 145 8112**